

# **Distance Learning Services**

**Don McDaniel, DIS Division Director –  
Enterprise Network Services**

**April 12, 2012**



## **State Video Network (VNet)**

- Bridging & scheduling services had been outsourced for last 17 years.
- With last contract ending a working group of various users looked at the services needed and cost/flexibility to provide.
- Most cost effective and future proof arrangement was to have DIS provide the services.
- Cutover was completed during the Spring Break week.

# Then and Now

## Legacy Outsourced Network

- Bridged H.323 (IP) & H.320 Room Systems

## Current Video Network

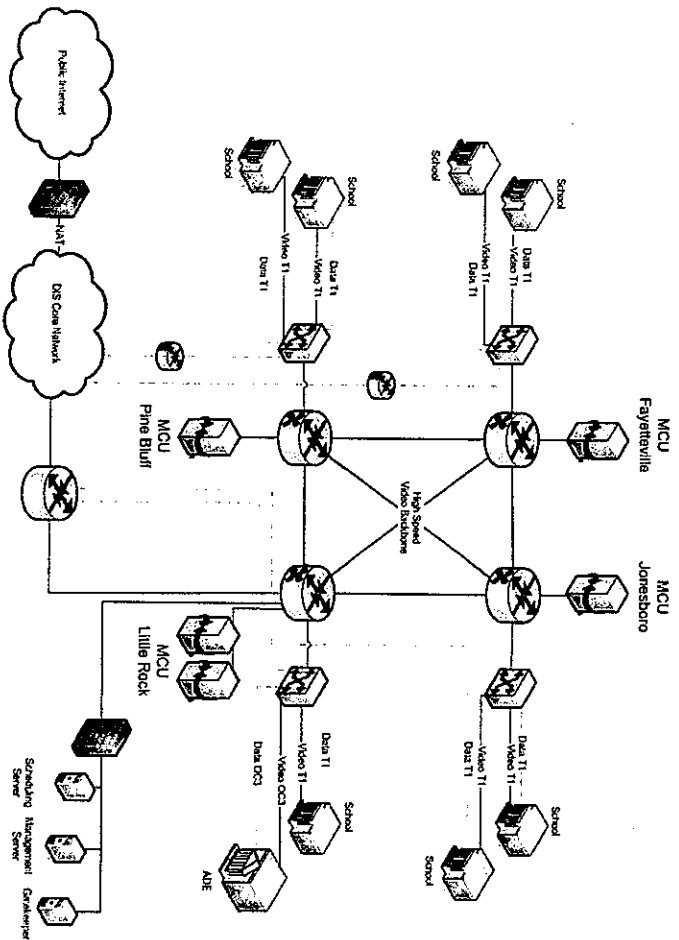
- Bridged H.323 room Systems
- Support for H.239 content streams (sharing content in HD)
- Video streaming, capture, and storage
- Support for desktop video conferencing (Lync compatibility)
- Support for Real Presence mobile video conferencing (iOS or Android)

# Current Video Network Average Usage

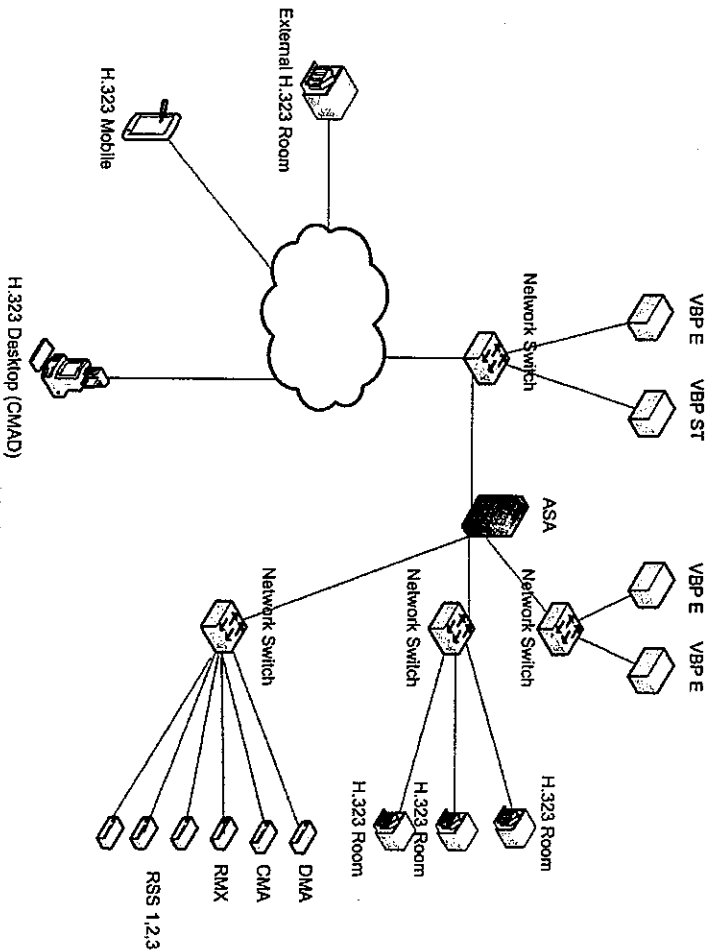
- Number of Actively Registered Systems: 427
- Average Conferences Per Week: 1,800
- Average Systems per Conference: 3.25
- Average Conference Length: 55 Minutes
- Average Conference Hours Per Week: 5,362

# Then and Now

## Legacy Outsourced Network



## Current Video Network





Department of Information Systems

# Distance Learning Services

Questions?