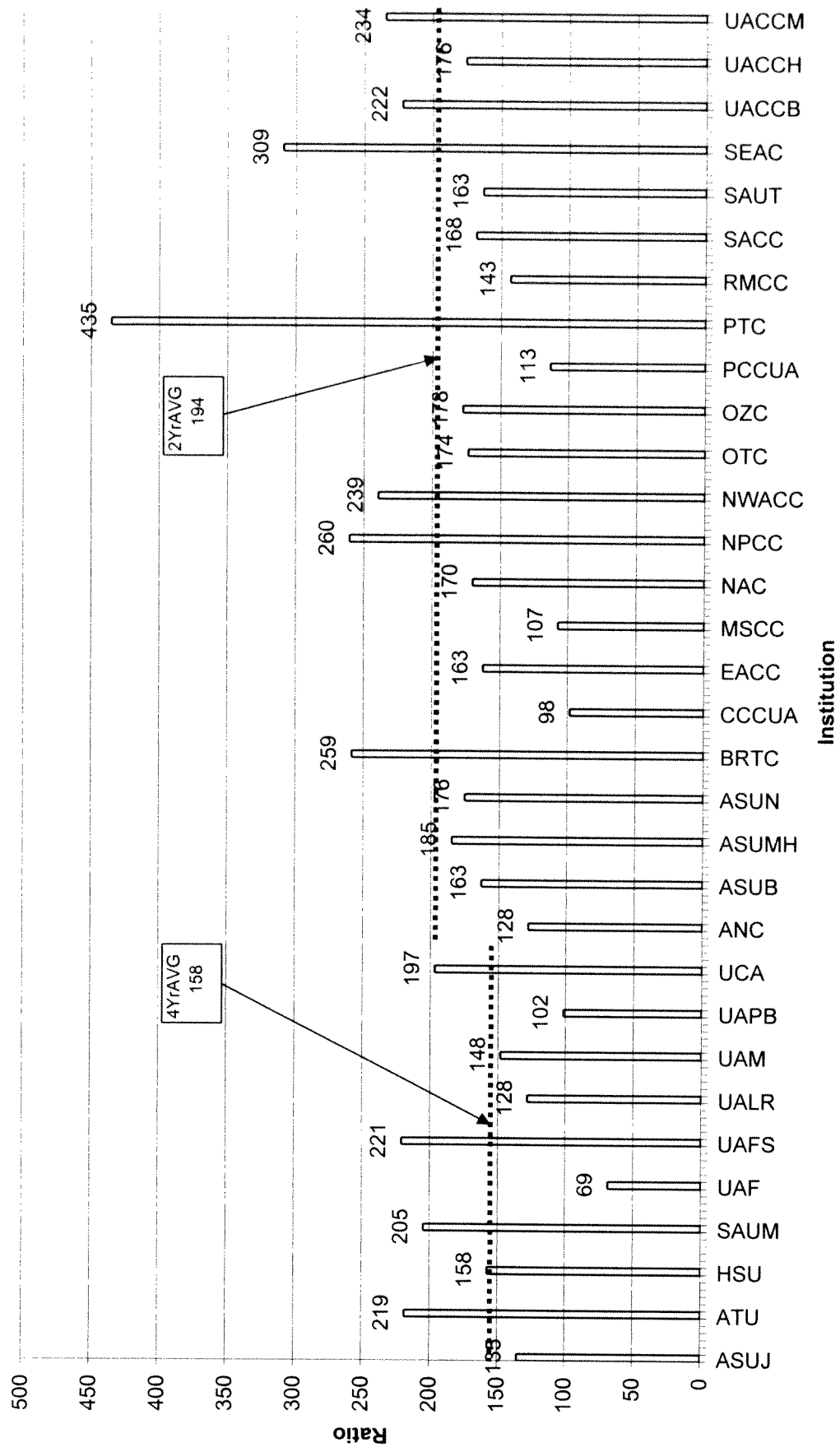
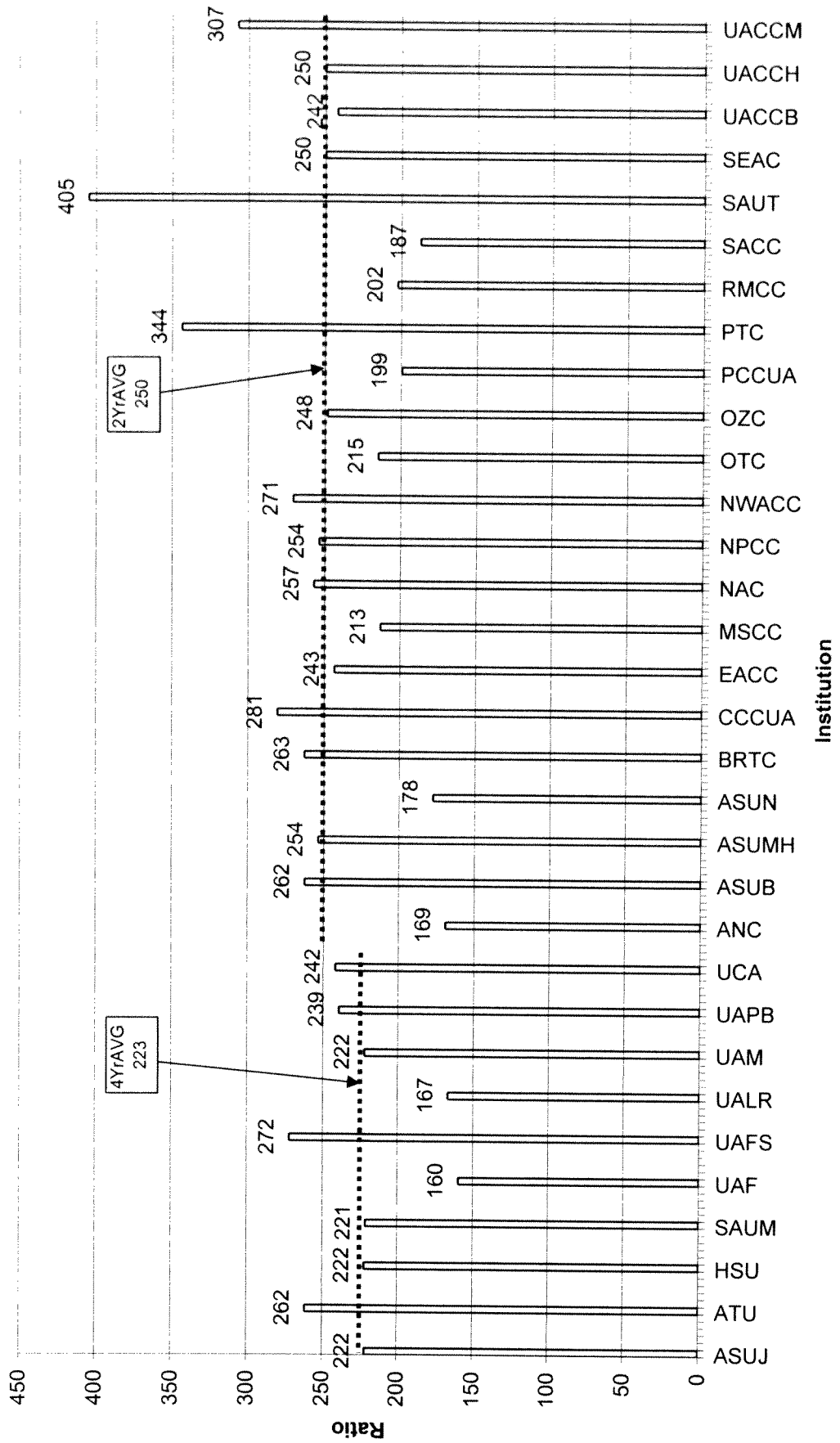




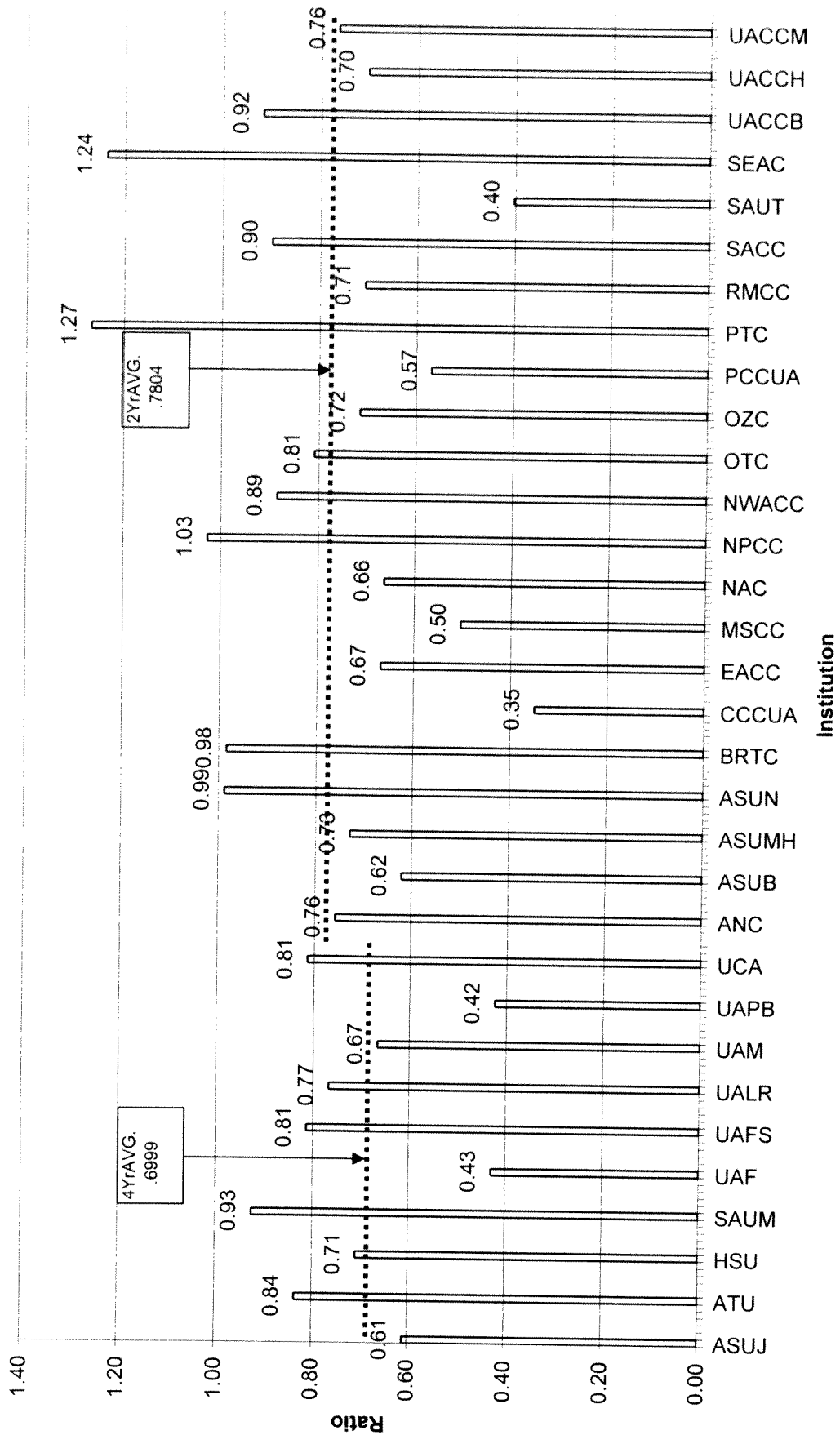
2008 RATIO OF STUDENT SEMESTER CREDIT HOURS TO ADMINISTRATIVE, EXECUTIVE AND OTHER STAFF



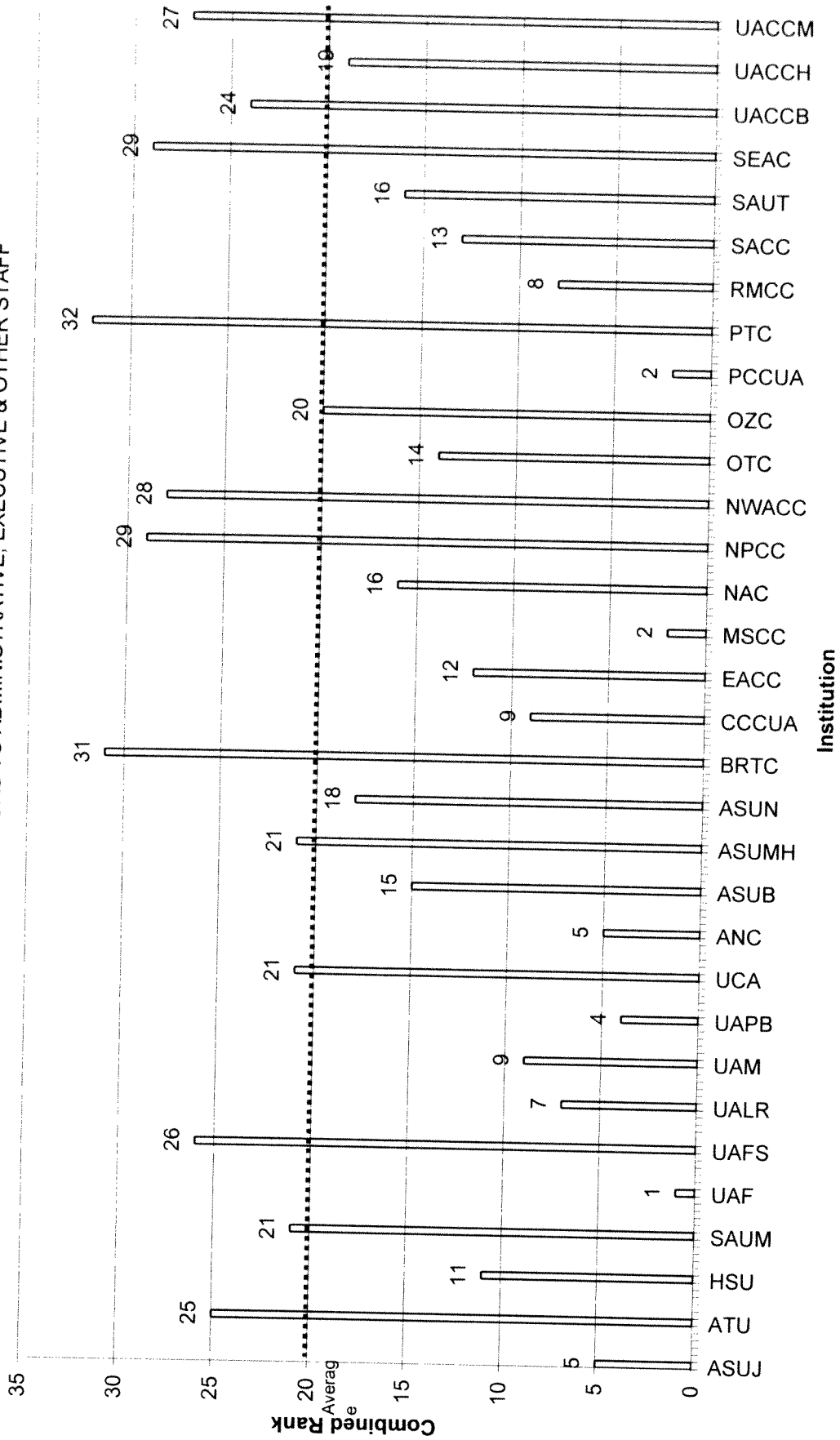
2008 RATIO OF STUDENT SEMESTER CREDIT HOURS TO FACULTY & ASSISTANTS



2008 RATIO OF FACULTY & ASSISTANTS TO ADMINISTRATIVE, EXECUTIVE & OTHER STAFF



**2008 COMBINED RANKING OF RATIOS OF:
 FACULTY & ASSISTANTS TO ADMINISTRATIVE, EXECUTIVE & OTHER STAFF;
 STUDENT SEMESTER CREDIT HOURS TO FACULTY & ASSISTANTS;
 AND STUDENT SEMESTER CREDIT HOURS TO ADMINISTRATIVE, EXECUTIVE & OTHER STAFF**



ARKANSAS INSTITUTIONS OF HIGHER EDUCATION

1997 THROUGH 2008 FACULTY, OTHER STAFF AND STUDENT HOURS RATIOS AND 2008 RANKING

Bureau of Legislative Research, September 2009

All data received from Department of Higher Education. Staffing data from the National Center for Educational Statistics, Integrated Post-secondary Educational Data System (IPEDS), as of November 1 of the respective year. Staff shown as Full Time Equivalent (FTE) counting part-time positions as one-third, consistent with federal guidelines and Southern Regional Education Board (SREB) practice. Faculty and Student Semester Credit Hours (SSCH) as of the Fall semester from Dept. of Higher Ed. data system. Data anomalies, aggregation methods and adjustments are footnoted below.

| I N S T | Category (1) or Ratio | 1997 | 1999 | 2001 | 2003 | 2005 | 2007 | 2008 | 2008 Ratio Rank (2) Ascending | | 11Yr % | |
|------------------|----------------------------|---------|---------|---------|---------|---------|---------|---------|-------------------------------|----------|-------------------|---------|
| | | | | | | | | | Fac/AEO | SSCH/Fac | SSCH/AEO COMBINED | Change |
| A S U J | Faculty & Assistants(Fac) | 538.7 | 522.3 | 535.0 | 560.7 | 566.7 | 645.7 | 604.0 | | | 5 | 12.13% |
| | Admin/Exec&Others(AEO) | 778.0 | 854.0 | 853.0 | 900.7 | 895.0 | 1,017.3 | 988.7 | | | | 27.08% |
| | Stud.Sem.Credit Hrs.(SSCH) | 125,918 | 125,882 | 126,208 | 125,181 | 123,281 | 132,634 | 133,809 | | | | 6.27% |
| | Ratio Fac/AEO | 0.6924 | 0.6116 | 0.6272 | 0.6225 | 0.6331 | 0.6347 | 0.6109 | | 7 | | -11.77% |
| | Ratio SSCH/Fac | 234 | 241 | 236 | 223 | 218 | 205 | 222 | | 11 | | -5.23% |
| | Ratio SSCH/AEO | 162 | 147 | 148 | 139 | 138 | 130 | 135 | | 8 | | -16.38% |
| A T U | Faculty & Assistants(Fac) | 206.7 | 218.0 | 233.3 | 290.3 | 325.0 | 354.7 | 366.0 | | | 25 | 77.10% |
| | Admin/Exec&Others(AEO) | 256.0 | 284.3 | 313.3 | 386.7 | 384.3 | 429.0 | 437.7 | | | | 70.98% |
| | Stud.Sem.Credit Hrs.(SSCH) | 53,747 | 62,976 | 73,380 | 84,436 | 89,372 | 95,759 | 95,718 | | | | 78.09% |
| | Ratio Fac/AEO | 0.8073 | 0.7667 | 0.7447 | 0.7509 | 0.8456 | 0.8267 | 0.8362 | | 23 | | 3.58% |
| | Ratio SSCH/Fac | 260 | 289 | 314 | 291 | 275 | 270 | 262 | | 25 | | 0.56% |
| | Ratio SSCH/AEO | 210 | 221 | 234 | 218 | 233 | 223 | 219 | | 24 | | 4.16% |
| H S U | Faculty & Assistants(Fac) | 182.7 | 191.0 | 191.0 | 186.0 | 194.7 | 201.7 | 210.3 | | | 11 | 15.13% |
| | Admin/Exec&Others(AEO) | 231.7 | 253.3 | 158.3 | 275.7 | 287.3 | 296.3 | 296.0 | | | | 27.77% |
| | Stud.Sem.Credit Hrs.(SSCH) | 47,854 | 45,759 | 46,247 | 46,479 | 46,401 | 46,068 | 46,696 | | | | -2.42% |
| | Ratio Fac/AEO | 0.7885 | 0.7539 | 1.2063 | 0.6747 | 0.6775 | 0.6805 | 0.7105 | | 14 | | -9.89% |
| | Ratio SSCH/Fac | 262 | 240 | 242 | 250 | 238 | 228 | 222 | | 12 | | -15.24% |
| | Ratio SSCH/AEO | 207 | 181 | 292 | 169 | 161 | 155 | 158 | | 11 | | -23.63% |
| S A U M | Faculty & Assistants(Fac) | 133.3 | 128.0 | 147.7 | 160.7 | 160.0 | 169.7 | 177.0 | | | 21 | 32.75% |
| | Admin/Exec&Others(AEO) | 171.0 | 163.0 | 101.3 | 178.7 | 184.7 | 186.0 | 191.3 | | | | 11.87% |
| | Stud.Sem.Credit Hrs.(SSCH) | 34,823 | 37,326 | 41,109 | 40,197 | 40,552 | 40,482 | 39,164 | | | | 12.47% |
| | Ratio Fac/AEO | 0.7797 | 0.7853 | 1.4572 | 0.8993 | 0.8664 | 0.9122 | 0.9252 | | 27 | | 18.66% |
| | Ratio SSCH/Fac | 261 | 292 | 278 | 250 | 253 | 239 | 221 | | 10 | | -15.28% |
| | Ratio SSCH/AEO | 204 | 229 | 406 | 225 | 220 | 218 | 205 | | 23 | | 0.53% |
| U A F | Faculty & Assistants(Fac) | 1,237.7 | 1,261.7 | 1,646.7 | 1,447.3 | 1,418.7 | 1,423.3 | 1,472.7 | | | 1 | 18.99% |
| | Admin/Exec&Others(AEO) | 2,153.7 | 2,140.7 | 2,631.3 | 2,908.7 | 3,247.0 | 3,304.0 | 3,426.7 | | | | 59.11% |
| | Stud.Sem.Credit Hrs.(SSCH) | 182,132 | 188,412 | 194,200 | 201,055 | 215,337 | 226,524 | 235,025 | | | | 29.04% |
| | Ratio Fac/AEO | 0.5747 | 0.5894 | 0.6258 | 0.4976 | 0.4369 | 0.4308 | 0.4298 | | 4 | | -25.22% |
| | Ratio SSCH/Fac | 147 | 149 | 118 | 139 | 152 | 159 | 160 | | 1 | | 8.45% |
| | Ratio SSCH/AEO | 85 | 88 | 74 | 69 | 66 | 69 | 69 | | 1 | | -18.90% |

See Note
3

ARKANSAS INSTITUTIONS OF HIGHER EDUCATION

1997 THROUGH 2008 FACULTY, OTHER STAFF AND STUDENT HOURS RATIOS AND 2008 RANKING

Bureau of Legislative Research, September 2009

All data received from Department of Higher Education. Staffing data from the National Center for Educational Statistics, Integrated Post-secondary Educational Data System (IPEDS), as of November 1 of the respective year. Staff shown as Full Time Equivalent (FTE) counting part-time positions as one-third, consistent with federal guidelines and Southern Regional Education Board (SREB) practice. Faculty and Student Semester Credit Hours (SSCH) as of the Fall semester from Dept. of Higher Ed. data system. Data anomalies, aggregation methods and adjustments are footnoted below.

| I N S T | Category (1) or Ratio | 1997 | 1999 | 2001 | 2003 | 2005 | 2007 | 2008 | 2008 Ratio Rank (2) Ascending | | 11Yr % | Change | |
|------------------|----------------------------|---------|---------|---------|---------|---------|---------|---------|-------------------------------|----------|-------------------|--------|---------|
| | | 186.0 | 178.3 | 194.3 | 222.7 | 243.0 | 257.0 | 274.3 | Fac/AEO | SSCH/Fac | SSCH/AEO COMBINED | | |
| U | Faculty & Assistants(Fac) | 225.7 | 233.3 | 140.3 | 259.0 | 276.0 | 319.3 | 337.3 | | | | 26 | 47.47% |
| A | Admin/Exec&Others(AEO) | 46,910 | 48,417 | 49,569 | 61,066 | 67,579 | 70,445 | 74,586 | | | | | 49.47% |
| F | Stud.Sem.Credit Hrs.(SSCH) | 0.8242 | 0.7643 | 1.3848 | 0.8597 | 0.8804 | 0.8048 | 0.8132 | 21 | | | | 59.00% |
| S | Ratio Fac/AEO | 252 | 271 | 255 | 274 | 278 | 274 | 272 | | 29 | | | -1.33% |
| | Ratio SSCH/Fac | 208 | 208 | 353 | 236 | 245 | 221 | 221 | | | | | 7.81% |
| | Ratio SSCH/AEO | 621.3 | 0.0 | 649.7 | 662.7 | 714.3 | 752.7 | 716.7 | | | 25 | | 6.38% |
| U | Faculty & Assistants(Fac) | 846.7 | 0.0 | 828.7 | 799.3 | 727.0 | 844.0 | 933.0 | | | | 7 | 15.35% |
| A | Admin/Exec&Others(AEO) | 107,162 | 106,855 | 113,754 | 119,031 | 121,330 | 121,582 | 119,541 | | | | | 10.20% |
| L | Stud.Sem.Credit Hrs.(SSCH) | 0.7339 | 0.7840 | 0.8290 | 0.9826 | 0.9826 | 0.8918 | 0.7682 | 19 | | | | 11.55% |
| R | Ratio Fac/AEO | 172 | 175 | 170 | 180 | 170 | 162 | 167 | | 2 | | | 4.68% |
| | Ratio SSCH/Fac | 127 | 137 | 149 | 167 | 167 | 144 | 128 | | | 7 | | -3.29% |
| | Ratio SSCH/AEO | 115.7 | 120.0 | 127.7 | 194.3 | 159.3 | 179.0 | 170.7 | | | | 9 | 1.23% |
| U | Faculty & Assistants(Fac) | 165.0 | 159.7 | 174.7 | 215.0 | 221.0 | 253.7 | 256.0 | | | | | 47.58% |
| A | Admin/Exec&Others(AEO) | 28,238 | 28,658 | 29,089 | 35,951 | 35,572 | 37,489 | 37,942 | | | | | 55.15% |
| M | Stud.Sem.Credit Hrs.(SSCH) | 0.7010 | 0.7516 | 0.7309 | 0.9039 | 0.7210 | 0.7057 | 0.6668 | | | 10 | | 34.37% |
| | Ratio Fac/AEO | 244 | 239 | 228 | 185 | 223 | 209 | 222 | | 13 | | | -4.88% |
| | Ratio SSCH/Fac | 171 | 179 | 167 | 167 | 161 | 148 | 148 | | | | | -8.95% |
| | Ratio SSCH/AEO | 188.7 | 190.7 | 193.0 | 191.0 | 186.0 | 194.0 | 198.0 | | | 10 | | -13.40% |
| U | Faculty & Assistants(Fac) | 370.0 | 399.3 | 420.7 | 429.3 | 475.3 | 463.3 | 466.3 | | | | 4 | 4.95% |
| A | Admin/Exec&Others(AEO) | 39,051 | 41,400 | 42,776 | 43,674 | 44,243 | 42,990 | 47,404 | | | | | 26.03% |
| P | Stud.Sem.Credit Hrs.(SSCH) | 0.5099 | 0.4775 | 0.4588 | 0.4449 | 0.3913 | 0.4187 | 0.4246 | | | 3 | | 21.39% |
| B | Ratio Fac/AEO | 207 | 217 | 222 | 229 | 238 | 222 | 239 | | | 14 | | -16.73% |
| | Ratio SSCH/Fac | 106 | 104 | 102 | 102 | 93 | 93 | 102 | | | | | 15.67% |
| | Ratio SSCH/AEO | 425.0 | 416.0 | 443.3 | 462.3 | 585.0 | 651.0 | 653.0 | | | 3 | | -3.68% |
| U | Faculty & Assistants(Fac) | 478.3 | 527.7 | 540.3 | 545.0 | 636.7 | 759.7 | 802.3 | | | | 21 | 53.65% |
| A | Admin/Exec&Others(AEO) | 115,351 | 113,792 | 115,272 | 130,531 | 150,821 | 155,404 | 158,007 | | | | | 67.73% |
| C | Stud.Sem.Credit Hrs.(SSCH) | 0.8885 | 0.7884 | 0.8205 | 0.8483 | 0.9188 | 0.8570 | 0.8139 | | | 22 | | 36.98% |
| | Ratio Fac/AEO | 271 | 274 | 260 | 282 | 258 | 239 | 242 | | | 16 | | -8.40% |
| | Ratio SSCH/Fac | 241 | 216 | 213 | 240 | 237 | 205 | 197 | | | 22 | | -10.85% |
| | Ratio SSCH/AEO | | | | | | | | | | | | -18.33% |

ARKANSAS INSTITUTIONS OF HIGHER EDUCATION

1997 THROUGH 2008 FACULTY, OTHER STAFF AND STUDENT HOURS RATIOS AND 2008 RANKING

Bureau of Legislative Research, September 2009

All data received from Department of Higher Education. Staffing data from the National Center for Educational Statistics, Integrated Post-secondary Educational Data System (IPEDS), as of November 1 of the respective year. Staff shown as Full Time Equivalent (FTE) counting part-time positions as one-third, consistent with federal guidelines and Southern Regional Education Board (SREB) practice. Faculty and Student Semester Credit Hours (SSCH) as of the Fall semester from Dept. of Higher Ed. data system. Data anomalies, aggregation methods and adjustments are footnoted below.

| I N S T | Category (1) or Ratio | 1997 | 1999 | 2001 | 2003 | 2005 | 2007 | 2008 | 2008 Ratio Rank (2) Ascending | | 11Yr % | Change | |
|-----------------------|----------------------------|--------|--------|--------|--------|--------|--------|--------|-------------------------------|----------|----------|----------|---------|
| | | | | | | | | | Fac/AEO | SSCH/Fac | SSCH/AEO | COMBINED | |
| A N C | Faculty & Assistants(Fac) | 60.0 | 66.7 | 75.0 | 111.3 | 100.7 | 97.7 | 98.7 | | | | 5 | 64.50% |
| | Admin/Exec&Others(AEO) | 77.7 | 99.3 | 70.3 | 132.7 | 120.3 | 125.7 | 130.3 | | | | | 67.77% |
| | Stud.Sem.Credit Hrs.(SSCH) | 16,718 | 17,185 | 17,822 | 22,228 | 18,172 | 15,829 | 16,682 | | | | | -0.22% |
| | Ratio Fac/AEO | 0.7725 | 0.6711 | 1.0664 | 0.8392 | 0.8366 | 0.7772 | 0.7575 | 17 | | | | -1.95% |
| | Ratio SSCH/Fac | 279 | 258 | 238 | 200 | 181 | 162 | 169 | 3 | | | | -39.34% |
| | Ratio SSCH/AEO | 215 | 173 | 253 | 168 | 151 | 126 | 128 | 6 | | | | -40.52% |
| A S U B | Faculty & Assistants(Fac) | 106.0 | 119.7 | 95.3 | 144.3 | 150.7 | 167.7 | 168.0 | | | | 15 | 58.49% |
| | Admin/Exec&Others(AEO) | 142.7 | 170.3 | 155.0 | 203.7 | 225.0 | 253.0 | 270.7 | | | | | 89.74% |
| | Stud.Sem.Credit Hrs.(SSCH) | 28,616 | 31,918 | 27,379 | 36,099 | 39,690 | 43,126 | 44,092 | | | | | 54.08% |
| | Ratio Fac/AEO | 0.7430 | 0.7025 | 0.6151 | 0.7087 | 0.6696 | 0.6627 | 0.6206 | 8 | | | | -16.47% |
| | Ratio SSCH/Fac | 270 | 267 | 287 | 250 | 263 | 257 | 262 | 26 | | | | -2.78% |
| | Ratio SSCH/AEO | 201 | 187 | 177 | 177 | 176 | 170 | 163 | 13 | | | | -18.79% |
| A S U M H | Faculty & Assistants(Fac) | 22.0 | 38.0 | 46.7 | 48.3 | 46.7 | 47.7 | 52.0 | | | | 21 | 136.36% |
| | Admin/Exec&Others(AEO) | 16.3 | 33.3 | 43.7 | 49.7 | 55.3 | 65.3 | 71.3 | | | | | 336.53% |
| | Stud.Sem.Credit Hrs.(SSCH) | 7,562 | 9,910 | 11,703 | 13,023 | 12,228 | 11,593 | 13,187 | | | | | 74.39% |
| | Ratio Fac/AEO | 1.3469 | 1.1400 | 1.0687 | 0.9732 | 0.8434 | 0.7296 | 0.7293 | 16 | | | | -45.85% |
| | Ratio SSCH/Fac | 344 | 261 | 251 | 269 | 262 | 243 | 254 | 23 | | | | -26.22% |
| | Ratio SSCH/AEO | 463 | 297 | 268 | 262 | 221 | 177 | 185 | 21 | | | | -60.05% |
| A S U N | Faculty & Assistants(Fac) | | | 47.0 | 57.3 | 51.7 | 57.0 | 83.0 | | | | 18 | 76.60% |
| | Admin/Exec&Others(AEO) | | | 26.7 | 43.3 | 53.3 | 52.3 | 84.0 | | | | | 215.00% |
| | Stud.Sem.Credit Hrs.(SSCH) | | | 6,298 | 9,519 | 9,645 | 9,261 | 14,749 | | | | | 134.19% |
| | Ratio Fac/AEO | | | 1.7625 | 1.3231 | 0.9688 | 1.0892 | 0.9881 | 29 | | | | -43.94% |
| | Ratio SSCH/Fac | | | 134 | 166 | 187 | 162 | 178 | 4 | | | | 32.61% |
| | Ratio SSCH/AEO | | | 236 | 220 | 181 | 177 | 176 | 18 | | | | -25.66% |
| B R T C | Faculty & Assistants(Fac) | 38.0 | 38.0 | 65.3 | 71.7 | 69.7 | 69.3 | 79.7 | | | | 31 | 109.74% |
| | Admin/Exec&Others(AEO) | 36.0 | 46.0 | 56.0 | 62.3 | 62.3 | 76.7 | 81.0 | | | | | 125.00% |
| | Stud.Sem.Credit Hrs.(SSCH) | 10,096 | 12,383 | 15,329 | 19,549 | 18,520 | 21,533 | 20,948 | | | | | 107.49% |
| | Ratio Fac/AEO | 1.0556 | 0.8261 | 1.1667 | 1.1497 | 1.1176 | 0.9043 | 0.9840 | 28 | | | | -6.78% |
| | Ratio SSCH/Fac | 266 | 326 | 235 | 273 | 266 | 311 | 263 | 27 | | | | -1.07% |
| | Ratio SSCH/AEO | 280 | 269 | 274 | 314 | 297 | 281 | 259 | 29 | | | | -7.78% |

See Note
4

ARKANSAS INSTITUTIONS OF HIGHER EDUCATION

1997 THROUGH 2008 FACULTY, OTHER STAFF AND STUDENT HOURS RATIOS AND 2008 RANKING

Bureau of Legislative Research, September 2009

All data received from Department of Higher Education. Staffing data from the National Center for Educational Statistics, Integrated Post-secondary Educational Data System (IPEDS), as of November 1 of the respective year. Staff shown as Full Time Equivalent (FTE) counting part-time positions as one-third, consistent with federal guidelines and Southern Regional Education Board (SREB) practice. Faculty and Student Semester Credit Hours (SSCH) as of the Fall semester from Dept. of Higher Ed. data system. Data anomalies, aggregation methods and adjustments are footnoted below.

| I N S T | Category (1) or Ratio | 1997 | 1999 | 2001 | 2003 | 2005 | 2007 | 2008 | 2008 Ratio Rank (2) Ascending | | 11Yr % Change |
|------------------|----------------------------|--------|--------|--------|--------|--------|--------|--------|-------------------------------|-------------------|------------------|
| | | Fac | Fac | Fac | Fac | Fac | Fac | Fac | Fac/AEO | SSCH/AEO COMBINED | |
| C | Faculty & Assistants(Fac) | 54.7 | 52.7 | 50.0 | 51.3 | 43.3 | 41.3 | 43.0 | | 9 | -21.34% |
| C | Admin/Exec&Others(AEO) | 48.3 | 65.3 | 31.3 | 68.0 | 90.0 | 118.0 | 122.7 | | | 153.86% |
| C | Stud.Sem.Credit Hrs.(SSCH) | 6,441 | 7,678 | 7,959 | 9,614 | 9,025 | 11,170 | 12,067 | | | 87.35% |
| U | Ratio Fac/AEO | 1.1310 | 0.8061 | 1.5957 | 0.7549 | 0.4815 | 0.3503 | 0.3504 | 1 | | -69.02% |
| A | Ratio SSCH/Fac | 118 | 146 | 159 | 187 | 208 | 270 | 281 | 30 | | 138.18% |
| A | Ratio SSCH/AEO | 133 | 118 | 254 | 141 | 100 | 95 | 98 | 2 | | -26.20% |
| E | Faculty & Assistants(Fac) | 56.3 | 56.0 | 51.3 | 56.7 | 55.7 | 57.7 | 57.7 | | 12 | 2.43% |
| A | Admin/Exec&Others(AEO) | 60.0 | 63.7 | 39.7 | 87.3 | 79.7 | 82.3 | 86.3 | | | 43.83% |
| C | Stud.Sem.Credit Hrs.(SSCH) | 14,700 | 11,437 | 13,098 | 14,274 | 13,984 | 14,816 | 14,038 | | | -4.50% |
| C | Ratio Fac/AEO | 0.9389 | 0.8796 | 1.2941 | 0.6489 | 0.6987 | 0.7004 | 0.6686 | 11 | | -28.79% |
| C | Ratio SSCH/Fac | 261 | 204 | 255 | 252 | 251 | 257 | 243 | 18 | | -6.77% |
| C | Ratio SSCH/AEO | 245 | 180 | 330 | 163 | 176 | 180 | 163 | 12 | | -33.61% |
| M | Faculty & Assistants(Fac) | 41.3 | 51.3 | 44.0 | 46.0 | 48.3 | 58.0 | 63.3 | | 2 | 53.15% |
| S | Admin/Exec&Others(AEO) | 57.7 | 59.0 | 35.3 | 83.3 | 91.3 | 112.3 | 125.7 | | | 117.98% |
| C | Stud.Sem.Credit Hrs.(SSCH) | 9,130 | 9,065 | 8,530 | 9,386 | 11,480 | 12,102 | 13,482 | | | 47.67% |
| C | Ratio Fac/AEO | 0.7168 | 0.8701 | 1.2453 | 0.5520 | 0.5292 | 0.5163 | 0.5036 | 5 | | -29.74% |
| C | Ratio SSCH/Fac | 221 | 177 | 194 | 204 | 238 | 209 | 213 | 8 | | -3.58% |
| C | Ratio SSCH/AEO | 158 | 154 | 241 | 113 | 126 | 108 | 107 | 4 | | -32.26% |
| N | Faculty & Assistants(Fac) | 90.3 | 81.7 | 83.0 | 94.7 | 94.0 | 92.7 | 91.7 | | 16 | 1.51% |
| A | Admin/Exec&Others(AEO) | 106.0 | 114.3 | 83.0 | 117.3 | 123.0 | 135.0 | 138.3 | | | 30.47% |
| C | Stud.Sem.Credit Hrs.(SSCH) | 20,574 | 19,542 | 19,979 | 22,884 | 22,603 | 21,798 | 23,554 | | | 14.48% |
| C | Ratio Fac/AEO | 0.8522 | 0.7143 | 1.0000 | 0.8068 | 0.7642 | 0.6864 | 0.6631 | 9 | | -22.20% |
| C | Ratio SSCH/Fac | 228 | 239 | 241 | 242 | 240 | 235 | 257 | 24 | | 12.78% |
| C | Ratio SSCH/AEO | 194 | 171 | 241 | 195 | 184 | 161 | 170 | 16 | | -12.25% |
| N | Faculty & Assistants(Fac) | 72.0 | 73.0 | 84.7 | 131.0 | 118.7 | 126.7 | 125.0 | | 29 | 73.61% |
| P | Admin/Exec&Others(AEO) | 62.0 | 76.0 | 39.0 | 121.0 | 115.0 | 120.3 | 121.7 | | | 96.29% |
| C | Stud.Sem.Credit Hrs.(SSCH) | 17,079 | 18,510 | 19,854 | 27,868 | 26,799 | 27,797 | 31,690 | | | 85.55% |
| C | Ratio Fac/AEO | 1.1613 | 0.9605 | 2.1709 | 1.0826 | 1.0319 | 1.0526 | 1.0271 | 30 | | -11.55% |
| C | Ratio SSCH/Fac | 237 | 254 | 234 | 213 | 226 | 219 | 254 | 22 | | 6.88% |
| C | Ratio SSCH/AEO | 275 | 244 | 509 | 230 | 233 | 231 | 260 | 30 | | -5.47% |

ARKANSAS INSTITUTIONS OF HIGHER EDUCATION

1997 THROUGH 2008 FACULTY, OTHER STAFF AND STUDENT HOURS RATIOS AND 2008 RANKING

Bureau of Legislative Research, September 2009

All data received from Department of Higher Education. Staffing data from the National Center for Educational Statistics, Integrated Post-secondary Educational Data System (IPEDS), as of November 1 of the respective year. Staff shown as Full Time Equivalent (FTE) counting part-time positions as one-third, consistent with federal guidelines and Southern Regional Education Board (SREB) practice. Faculty and Student Semester Credit Hours (SSCH) as of the Fall semester from Dept. of Higher Ed. data system. Data anomalies, aggregation methods and adjustments are footnoted below.

| I N S T | Category (1) or Ratio | 1997 | 1999 | 2001 | 2003 | 2005 | 2007 | 2008 | 2008 Ratio Rank (2) Ascending | | 11Yr % |
|------------------|----------------------------|--------|--------|--------|--------|--------|--------|--------|-------------------------------|----------|-------------------|
| | | | | | | | | | Fac/AEO | SSCH/Fac | SSCH/AEO COMBINED |
| N | Faculty & Assistants(Fac) | 98.7 | 131.0 | 144.7 | 140.7 | 199.0 | 229.3 | 226.3 | | 28 | 129.36% |
| W | Admin/Exec&Others(AEO) | 117.0 | 112.7 | 150.7 | 165.0 | 228.0 | 251.3 | 255.7 | | | 118.55% |
| A | Stud.Sem.Credit Hrs.(SSCH) | 26,027 | 31,365 | 34,325 | 39,948 | 45,514 | 53,701 | 61,230 | | | 135.26% |
| C | Ratio Fac/AEO | 0.8433 | 1.1627 | 0.9602 | 0.8525 | 0.8728 | 0.9125 | 0.8850 | 24 | | 4.95% |
| C | Ratio SSCH/Fac | 264 | 239 | 237 | 284 | 229 | 234 | 271 | 28 | | 2.57% |
| C | Ratio SSCH/AEO | 222 | 278 | 228 | 242 | 200 | 214 | 239 | 28 | | 7.65% |
| O | Faculty & Assistants(Fac) | 40.3 | 45.7 | 50.0 | 59.0 | 60.0 | 62.0 | 58.0 | | 14 | 43.80% |
| T | Admin/Exec&Others(AEO) | 40.0 | 50.3 | 35.3 | 56.0 | 70.0 | 75.7 | 71.7 | | | 79.25% |
| C | Stud.Sem.Credit Hrs.(SSCH) | 5,961 | 7,662 | 8,168 | 10,996 | 12,391 | 12,228 | 12,461 | | | 109.04% |
| | Ratio Fac/AEO | 1.0083 | 0.9073 | 1.4151 | 1.0536 | 0.8571 | 0.8194 | 0.8089 | 20 | | -19.78% |
| | Ratio SSCH/Fac | 148 | 168 | 163 | 186 | 207 | 197 | 215 | 9 | | 45.37% |
| | Ratio SSCH/AEO | 149 | 152 | 231 | 196 | 177 | 162 | 174 | 17 | | 16.62% |
| O | Faculty & Assistants(Fac) | 28.3 | 35.7 | 38.7 | 41.3 | 40.3 | 49.7 | 51.3 | | 20 | 81.06% |
| Z | Admin/Exec&Others(AEO) | 32.7 | 45.0 | 31.0 | 62.0 | 59.0 | 67.0 | 71.7 | | | 119.49% |
| C | Stud.Sem.Credit Hrs.(SSCH) | 6,055 | 7,964 | 8,339 | 9,532 | 10,791 | 11,998 | 12,745 | | | 110.49% |
| | Ratio Fac/AEO | 0.8673 | 0.7926 | 1.2473 | 0.6667 | 0.6836 | 0.7413 | 0.7155 | 15 | | -17.51% |
| | Ratio SSCH/Fac | 214 | 223 | 216 | 231 | 268 | 242 | 248 | 19 | | 16.25% |
| | Ratio SSCH/AEO | 185 | 177 | 269 | 154 | 183 | 179 | 178 | 20 | | -4.10% |
| P | Faculty & Assistants(Fac) | 77.0 | 85.7 | 117.3 | 100.7 | 88.7 | 88.3 | 96.0 | | 2 | 24.68% |
| C | Admin/Exec&Others(AEO) | 114.0 | 132.0 | 174.0 | 132.7 | 156.0 | 162.7 | 168.7 | | | 47.98% |
| C | Stud.Sem.Credit Hrs.(SSCH) | 18,248 | 17,179 | 19,060 | 20,381 | 20,503 | 19,201 | 19,147 | | | 4.93% |
| U | Ratio Fac/AEO | 0.6754 | 0.6490 | 0.6743 | 0.7588 | 0.5684 | 0.5430 | 0.5691 | 6 | | -15.75% |
| A | Ratio SSCH/Fac | 237 | 201 | 162 | 202 | 231 | 217 | 199 | 6 | | -15.84% |
| A | Ratio SSCH/AEO | 160 | 130 | 110 | 154 | 131 | 118 | 113 | 5 | | -29.10% |
| P | Faculty & Assistants(Fac) | 81.7 | 107.7 | 140.7 | 171.3 | 225.7 | 256.7 | 253.7 | | 32 | 210.65% |
| T | Admin/Exec&Others(AEO) | 65.0 | 63.3 | 42.0 | 97.7 | 128.7 | 187.0 | 200.3 | | | 208.15% |
| C | Stud.Sem.Credit Hrs.(SSCH) | 23,818 | 39,628 | 48,487 | 59,546 | 76,643 | 84,785 | 87,168 | | | 265.98% |
| | Ratio Fac/AEO | 1.2564 | 1.7000 | 3.3492 | 1.7543 | 1.7539 | 1.3725 | 1.2666 | 32 | | 0.81% |
| | Ratio SSCH/Fac | 292 | 368 | 345 | 348 | 340 | 330 | 344 | 32 | | 17.81% |
| | Ratio SSCH/AEO | 366 | 626 | 1154 | 610 | 596 | 453 | 435 | 32 | | 18.76% |

ARKANSAS INSTITUTIONS OF HIGHER EDUCATION

1997 THROUGH 2008 FACULTY, OTHER STAFF AND STUDENT HOURS RATIOS AND 2008 RANKING

Bureau of Legislative Research, September 2009

All data received from Department of Higher Education. Staffing data from the National Center for Educational Statistics, Integrated Post-secondary Educational Data System (IPEDS), as of November 1 of the respective year. Staff shown as Full Time Equivalent (FTE) counting part-time positions as one-third, consistent with federal guidelines and Southern Regional Education Board (SREB) practice. Faculty and Student Semester Credit Hours (SSCH) as of the Fall semester from Dept. of Higher Ed. data system. Data anomalies, aggregation methods and adjustments are footnoted below.

| I N S T | Category (1) or Ratio | 1997 | 1999 | 2001 | 2003 | 2005 | 2007 | 2008 | 2008 Ratio Rank (2) Ascending | | 11Yr % Change |
|------------------|----------------------------|--------|--------|--------|--------|--------|--------|---------|-------------------------------|-------------------|------------------|
| | | | | | | | | Fac/AEO | SSCH/Fac | SSCH/AEO COMBINED | |
| R | Faculty & Assistants(Fac) | 25.7 | 24.7 | 32.0 | 35.3 | 33.7 | 39.3 | 41.7 | | 8 | 62.47% |
| M | Admin/Exec&Others(AEO) | 43.0 | 28.0 | 47.0 | 49.0 | 52.0 | 55.0 | 59.0 | | | 37.21% |
| C | Stud.Sem.Credit Hrs.(SSCH) | 5,895 | 6,377 | 7,833 | 9,287 | 7,372 | 8,109 | 8,444 | | | 43.24% |
| C | Ratio Fac/AEO | 0.5969 | 0.8810 | 0.6809 | 0.7211 | 0.6474 | 0.7152 | 0.7068 | 13 | | 18.41% |
| | Ratio SSCH/Fac | 230 | 259 | 245 | 263 | 219 | 206 | 202 | 7 | | -11.83% |
| | Ratio SSCH/AEO | 137 | 228 | 167 | 190 | 142 | 147 | 143 | 9 | | 4.40% |
| S | Faculty & Assistants(Fac) | 54.3 | 64.7 | 66.7 | 70.0 | 67.3 | 73.3 | 77.0 | | 13 | 41.72% |
| A | Admin/Exec&Others(AEO) | 59.7 | 69.7 | 44.0 | 71.7 | 68.3 | 82.7 | 85.7 | | | 43.63% |
| C | Stud.Sem.Credit Hrs.(SSCH) | 10,477 | 10,748 | 10,604 | 10,745 | 12,809 | 13,085 | 14,423 | | | 37.66% |
| C | Ratio Fac/AEO | 0.9106 | 0.9282 | 1.5152 | 0.9767 | 0.9854 | 0.8871 | 0.8985 | 25 | | -1.33% |
| | Ratio SSCH/Fac | 193 | 166 | 159 | 154 | 190 | 178 | 187 | 5 | | -2.86% |
| | Ratio SSCH/AEO | 176 | 154 | 241 | 150 | 187 | 158 | 168 | 15 | | -4.15% |
| S | Faculty & Assistants(Fac) | 36.3 | 34.3 | 38.3 | 35.7 | 35.0 | 39.3 | 36.7 | | 16 | 1.01% |
| A | Admin/Exec&Others(AEO) | 72.3 | 75.7 | 72.0 | 73.0 | 80.0 | 88.0 | 91.0 | | | 25.81% |
| U | Stud.Sem.Credit Hrs.(SSCH) | 7,256 | 7,912 | 8,870 | 10,283 | 12,815 | 15,153 | 14,856 | | | 104.74% |
| | Ratio Fac/AEO | 0.5023 | 0.4537 | 0.5324 | 0.4886 | 0.4375 | 0.4470 | 0.4033 | 2 | | -19.71% |
| | Ratio SSCH/Fac | 200 | 230 | 231 | 288 | 366 | 385 | 405 | 33 | | 102.70% |
| | Ratio SSCH/AEO | 100 | 105 | 123 | 141 | 160 | 172 | 163 | 14 | | 62.74% |
| S | Faculty & Assistants(Fac) | 50.7 | 61.7 | 73.3 | 74.3 | 88.7 | 79.7 | 78.3 | | 29 | 54.54% |
| E | Admin/Exec&Others(AEO) | 27.7 | 36.3 | 28.7 | 53.0 | 70.3 | 81.0 | 63.3 | | | 128.80% |
| A | Stud.Sem.Credit Hrs.(SSCH) | 13,434 | 16,152 | 19,359 | 22,286 | 20,222 | 20,987 | 19,577 | | | 45.73% |
| C | Ratio Fac/AEO | 1.8313 | 1.6972 | 2.5581 | 1.4025 | 1.2607 | 0.9835 | 1.2370 | 31 | | -32.46% |
| | Ratio SSCH/Fac | 265 | 262 | 264 | 300 | 228 | 263 | 250 | 20 | | -5.70% |
| | Ratio SSCH/AEO | 486 | 445 | 675 | 420 | 288 | 259 | 309 | 31 | | -36.31% |
| U | Faculty & Assistants(Fac) | 28.7 | 46.7 | 58.7 | 65.7 | 70.0 | 69.7 | 67.7 | | 24 | 136.16% |
| A | Admin/Exec&Others(AEO) | 35.0 | 42.0 | 44.3 | 53.3 | 58.3 | 65.0 | 73.7 | | | 110.57% |
| C | Stud.Sem.Credit Hrs.(SSCH) | 5,760 | 8,879 | 11,469 | 13,751 | 14,213 | 15,430 | 16,394 | | | 184.62% |
| C | Ratio Fac/AEO | 0.8190 | 1.1111 | 1.3233 | 1.2313 | 1.2000 | 1.0718 | 0.9186 | 26 | | 12.15% |
| | Ratio SSCH/Fac | 201 | 190 | 195 | 209 | 203 | 221 | 242 | 17 | | 20.52% |
| B | Ratio SSCH/AEO | 165 | 211 | 259 | 258 | 244 | 237 | 222 | 26 | | 35.16% |

ARKANSAS INSTITUTIONS OF HIGHER EDUCATION

1997 THROUGH 2008 FACULTY, OTHER STAFF AND STUDENT HOURS RATIOS AND 2008 RANKING

Bureau of Legislative Research, September 2009

All data received from Department of Higher Education. Staffing data from the National Center for Educational Statistics, Integrated Post-secondary Educational Data System (IPEDS), as of November 1 of the respective year. Staff shown as Full Time Equivalent (FTE) counting part-time positions as one-third, consistent with federal guidelines and Southern Regional Education Board (SREB) practice. Faculty and Student Semester Credit Hours (SSCH) as of the Fall semester from Dept. of Higher Ed. data system. Data anomalies, aggregation methods and adjustments are footnoted below.

| I N S T | Category (1) or Ratio | 1997 | 1999 | 2001 | 2003 | 2005 | 2007 | 2008 | 2008 Ratio Rank (2) Ascending | | 11Yr % Change |
|------------------|----------------------------|-----------------------|---------------|-------------|-------------|-------------|-------------|-------------|-------------------------------|-------------------|------------------|
| | | | | | | | | Fac/AEO | SSCH/Fac | SSCH/AEO COMBINED | |
| U | Faculty & Assistants(Fac) | 50.0 | 52.7 | 44.7 | 46.0 | 45.7 | 47.3 | 51.3 | | | 2.60% |
| A | Admin/Exec&Others(AEO) | 56.0 | 74.0 | 46.0 | 64.0 | 64.7 | 68.0 | 73.0 | | | 30.36% |
| C | Stud.Sem.Credit Hrs.(SSCH) | 12,573 | 13,179 | 12,226 | 12,392 | 12,064 | 13,396 | 12,837 | | | 2.10% |
| C | Ratio Fac/AEO | 0.8929 | 0.7117 | 0.9710 | 0.7188 | 0.7062 | 0.6961 | 0.7027 | 12 | | -21.29% |
| H | Ratio SSCH/Fac | 251 | 250 | 274 | 269 | 264 | 283 | 250 | | 21 | -0.49% |
| H | Ratio SSCH/AEO | 225 | 178 | 266 | 194 | 187 | 197 | 176 | | 19 | -21.68% |
| U | Faculty & Assistants(Fac) | 41.3 | 53.3 | 55.0 | 60.0 | 66.0 | 71.7 | 72.0 | | | 74.19% |
| A | Admin/Exec&Others(AEO) | 46.0 | 57.0 | 64.0 | 71.3 | 74.3 | 96.0 | 94.3 | | | 105.00% |
| C | Stud.Sem.Credit Hrs.(SSCH) | 9,948 | 14,319 | 14,335 | 17,298 | 20,037 | 20,408 | 22,101 | | | 122.17% |
| C | Ratio Fac/AEO | 0.8986 | 0.9357 | 0.8594 | 0.8411 | 0.8879 | 0.7465 | 0.7635 | 18 | | -15.03% |
| M | Ratio SSCH/Fac | 241 | 268 | 261 | 288 | 304 | 285 | 307 | | 31 | 27.54% |
| M | Ratio SSCH/AEO | 216 | 251 | 224 | 242 | 270 | 213 | 234 | | 27 | 8.37% |
| T | Faculty & Assistants(Fac) | 4,989.3 | 4,546.7 | 5,864.0 | 6,090.7 | 6,352.0 | 6,750.7 | 6,814.8 | | | 36.59% |
| O | Admin/Exec&Others(AEO) | 6,991.0 | 6,528.7 | 7,521.0 | 8,815.3 | 9,459.3 | 10,293.0 | 10,675.4 | | | 52.70% |
| T | Stud.Sem.Credit Hrs.(SSCH) | 1,057,554.0 | 1,118,469.0 | 1,182,630.0 | 1,308,490.0 | 1,382,008.0 | 1,446,883.0 | 1,493,764.0 | | | 41.25% |
| A | Ratio Fac/AEO | 0.7137 | 0.6964 | 0.7797 | 0.6909 | 0.6715 | 0.6559 | 0.6384 | | | -10.55% |
| L | Ratio SSCH/Fac | 212 | 246 | 202 | 215 | 218 | 214 | 219 | | 20 | 3.41% |
| S | Ratio SSCH/AEO | 151 | 171 | 157 | 148 | 146 | 141 | 140 | | 21 | -7.50% |
| 2008 | | | | | | | | | | | |
| | | Average | 0.7552 | 17 | 20 | 241 | 183 | 21 | 4YrAvg | 0.6999 | 0.7804 |
| | | Ratio Fac/AEO | 223 | 158 | 250 | 194 | 250 | 194 | 2YrAvg | 223 | 158 |
| | | Ratio SSCH/Fac | 158 | 158 | 158 | 158 | 158 | 158 | 2YrAvg | 158 | 158 |
| | | Ratio SSCH/AEO | 158 | 158 | 158 | 158 | 158 | 158 | 2YrAvg | 158 | 158 |

UAMS excluded from comparisons

| | | | | | | | | | | | |
|---|----------------------------|---------|---------|---------|---------|---------|---------|---------|--|--|---------|
| U | Faculty & Assistants(Fac) | 888.3 | 901.7 | 789.0 | 1,002.7 | 443.3 | 526.7 | 515.0 | | | -42.03% |
| A | Admin/Exec&Others(AEO) | 5,517.7 | 5,755.0 | 2,779.0 | 2,309.3 | 2,888.7 | 3,009.7 | 2,980.3 | | | -45.99% |
| M | Stud.Sem.Credit Hrs.(SSCH) | 26,061 | 25,989 | 27,367 | 30,227 | 32,653 | 35,448 | 36,130 | | | 38.64% |
| S | Ratio Fac/AEO | 0.1610 | 0.1567 | 0.2839 | 0.4342 | 0.1535 | 0.1750 | 0.1728 | | | 7.33% |
| | Ratio SSCH/Fac | 29 | 29 | 35 | 30 | 74 | 67 | 70 | | | 139.14% |
| | Ratio SSCH/AEO | 5 | 5 | 10 | 13 | 11 | 12 | 12 | | | 156.67% |

ARKANSAS INSTITUTIONS OF HIGHER EDUCATION

1997 THROUGH 2008 FACULTY, OTHER STAFF AND STUDENT HOURS RATIOS AND 2008 RANKING

Bureau of Legislative Research, September 2009

All data received from Department of Higher Education. Staffing data from the National Center for Educational Statistics, Integrated Post-secondary Educational Data System (IPEDS), as of November 1 of the respective year. Staff shown as Full Time Equivalent (FTE) counting part-time positions as one-third, consistent with federal guidelines and Southern Regional Education Board (SREB) practice. Faculty and Student Semester Credit Hours (SSCH) as of the Fall semester from Dept. of Higher Ed. data system. Data anomalies, aggregation methods and adjustments are footnoted below.

| I N S T | 1997 | 1999 | 2001 | 2003 | 2005 | 2007 | 2008 | 2008 Ratio Rank (2) | Ascending | 11Yr % | |
|-----------------------|------|------|------|------|------|------|------|---------------------|-----------|-------------------|--------|
| Category (1) or Ratio | | | | | | | | Fac/AEO | SSCH/Fac | SSCH/AEO COMBINED | Change |

(1) **Aggregation:** "Faculty and Assistants(Fac)" combines the SREB categories of Faculty (instruction/research/public serv.) and part-time Teaching and Research Assistants (Instruction/research asst.). "Admin/Exec&Others(AEO)" combines the SREB categories of Administrative and Executive (executive/administrative/managerial), Support and Technical Professionals (other professional and technical/paraprofessional), and Clerical, Skilled Craft, Service and Maintenance (clerical/secretarial, skilled crafts, and service/maintenance). These SREB categories are further defined using the Equal Employment Opportunity Commission's EEO-6 report categories.

(2) **2008 "Combined" Rank** ranks the sum of the three categorical rankings, equal rankings receive the same lowest rank (e.g., "3" is missing and two "2s" exist) so not all numbers between 1 and 33 are indicated for the "Combined" ranking. JAMS not ranked due to its unique status.

(3) **Anomalies:** UAF, UAMS & UALR - Inconsistencies exist in the IPEDS data compared to 2nd Quarter Fiscal Year Reports required by ACA 19-4-609. UAF partially explained by the inclusion of part-time data in '97-'01 Quarterly Rpts., however a 2001 system change at the institution excluded Coop. Ext. data until 2005 and may be responsible for '03-'07 Quarterly Rpts. exceeding IPEDS amounts by approx. 10%. UAMS - All Quarterly Reports include hospital staff while IPEDS data excluded hospital staff for all years except '97 and '99. UALR - IPEDS '99 data nonexistent, Quarterly Report data indicated 1,252 employees but does not distinguish between categories so the data was excluded.

(4) **Adjustment:** The ASUN SSCH reported separately was added to ASUB due to IPEDS data not separating staff data from ASUB and official inception of ASUN as 2001. Note that the ASUN "11yr % Change" reflects only 2001 to 2008.